



CirculAir

THE MOST VERSATILE, COMPACT AIR HANDLER ON THE MARKET.

CirculAir units **regulate** the temperature and humidity of your ambient air. CirculAir offers a range of models compatible with either **Direct Expansion (DX)** or **chilled water** systems. **Ultra-compact** and all stainless steel, the CirculAir is designed with **hygiene** and accessibility in mind. The units are adaptable to the space and can be either **floor** or **ceiling** mounted.

CirculAir units range from **1,200 to 3,900 m³/h**.

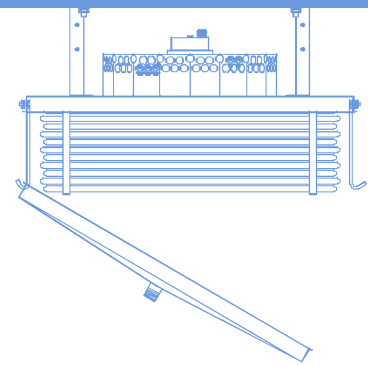
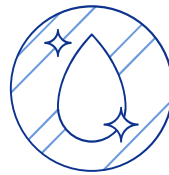


BENEFITS OF THE CIRCULAIR SERIES

1

Sanitary Design

- 316L stainless steel coils
- Ultra-hygienic design
- Double walled drain pans



2

Ease of Installation

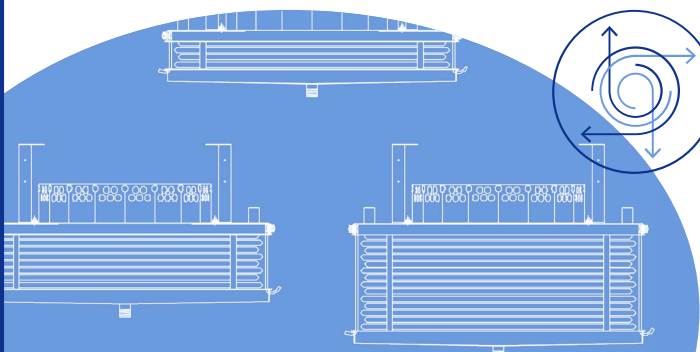
- Suitable for DX or chilled water, glycol systems
- Low velocity air units ideal for processing & work rooms
- Short lead times



3

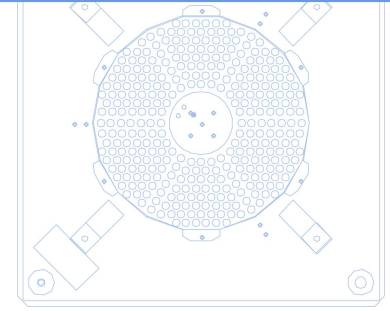
Versatile Air Units

- Models meet needs of a wide range of markets
- Increased corrosion resistance & longevity
- Cooling coils & electrical resistance





CirculAir



TECHNICAL SPECIFICATIONS

The sizing of the power is calculated on case by case basis:

Controllable steel fan 0-10v	Power in Watts to 90%HR & dt 10°C		Ventilation	Sound level	Weight	Width A x B	Height H
	Chilled water	Direct Expansion (DX)					
Model			m ³ /h	db	Kg	mm	mm
MCL 1.24	1376	1280	1210	52.8	24	570	273
MCL 1.36	1882	1750	1290	52.5	25	570	305
MCL 1.48	2532	2355	1350	51.8	26	570	337
MCL 3.18	3073	2825	2080 *	64	34	690	315
MCL 4.18	3512	3229	2280 *	63	39	690	347
MCL 5.18	3951	3633	2480 *	63	44	690	379
MCL 3.36	4341	4020	2063 *	62	57	920	315
MCL 4.36	5520	5111	2329 *	62	68	920	347
MCL5.36	6699	6203	2596 *	62	78	920	379
MCL 6.36	7878	7295	2862 *	61	89	920	411
MCL 7.36	9057	8387	3128 *	61	99	920	443
MCL 8.36	10237	9478	3394 *	61	110	920	475
MCL 9.36	11416	10570	3660 *	60	120	920	507
MCL 10.36	12595	11662	3926 *	60	131	920	539

*dt chilled water = difference between the temperature of the incoming air and the average temperature of the chilled water.

*dt direct expansion = difference between the temperature of the incoming air and the evaporation temperature.
These evaporators have an integrated distributor and an oil return device.
It is imperative to supply them with a pressure equalization regulator.

Red models available upon request.

Consult our sales department about installation conditions.

The exchange capacities vary considerably depending on the relative humidity of the treated air. Apply correction factor based on table below:

%RH	100	95	90	85	80	75	70
Power Factor Correction	1.17	1.09	1	0.91	0.83	0.74	0.65

* CirculAir evaporators are equipped with fans that are adjustable from 0-10V via an internal potentiometer, remotely or by a PLC.

The flow rate is substantially proportional to the control voltage. The performances can be adjusted with the table below:

Voltage (0-10 V)	10	9	8	7	6	5	4
Power Factor Correction	1	0.96	0.9	0.84	0.76	0.68	0.59
dbA at 3m	62	59	57	54	50	46	42

Available options: air deflectors, electrical heater, humidification nozzles.

Compatible with different refrigerants: glycol, chilled water, HFC.



www.climinox.com

CONTACT

climinox@wanadoo.fr

PHONE: +332 33 62 29 50